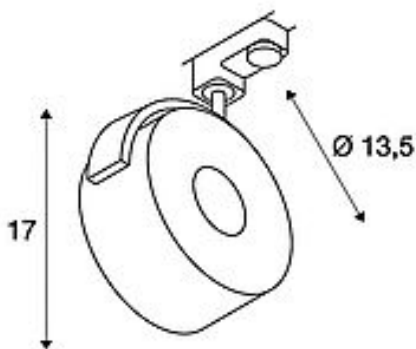
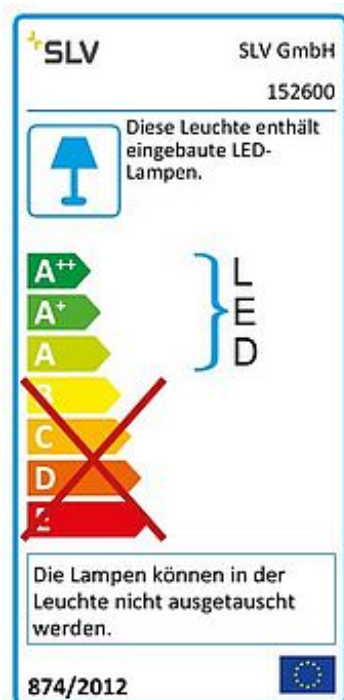
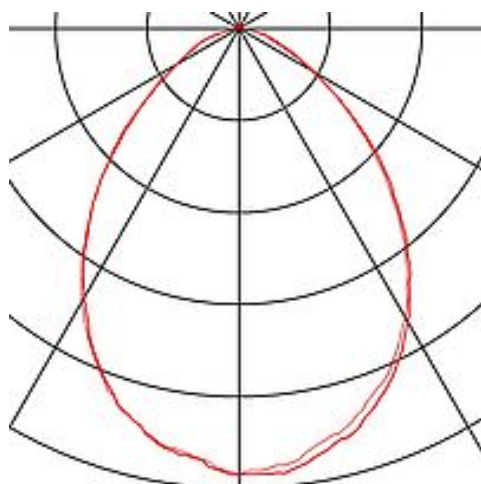


KALU TRACK

spot for 240V 3-phase track, LED, 3000K, round, black, incl. 3-phase adapter



Article number	152600
Product family	Kalu LED
Feed-in capability	No
Lamp included	Yes
Tilt range	90 Degree
Rotation range	350 Degree
Height	17 cm
Diameter	13.5 cm
Net weight	0.489 kg
Gross weight	0.586 kg
Voltage	220-240V ~50/60Hz
Protection class	II
Beam angle	85 Degree
Material	Aluminium
Colour	black
Way of mounting	Track mounting
Remark 1	The mounted adapter is suitable for all conventional 3 circuit tracks
Average lifespan	25000 Hours
Colour temperature	3000 Kelvin
Colour rendering index	80
Luminous flux	860 lm
Energy efficiency class	A++
Catalogue page	BIG WHITE 2018: 449



Articles of this series

143460	KALU TRACK, spot for 240V 1-phase track, QR111, matt black, max. 50W, incl. 1-phase adapter
143461	KALU TRACK, spot for 240V 1-phase track, QR111, white, max. 50W, incl. 1-phase adapter
143464	KALU TRACK, spot for 240V 1-phase track, QR111, silver-grey, max. 50W, incl. 1-phase adapter
143491	KALU TRACK, spot for 240V 1-phase track, TCR-TSE, white, max. 9W, incl. 1-phase adapter
143540	KALU TRACK, spot for 240V 1-phase track, QPAR111, matt black, incl. 1-phase adapter
143541	KALU TRACK, spot for 240V 1-phase track, QPAR111, white, incl. 1-phase adapter
143544	KALU TRACK, spot for 240V 1-phase track, QPAR111, silver-grey, incl. 1-phase adapter
143731	KALU TRACK, spot for 240V 1-phase track, LED, 3000K, white, incl. 1-phase adapter
143734	KALU TRACK, spot for 240V 1-phase track, LED, 3000K, silver-grey, incl. 1-phase adapter
147600	KALU wall and ceiling light, single-headed, LED, 3000K, matt black, max. 10W
147601	KALU wall and ceiling light, single-headed, LED, 3000K, white/black, 10W
147610	KALU wall and ceiling light, double-headed, LED, 3000K, matt black, 20W
147611	KALU wall and ceiling light, double-headed, LED, 3000K, white/black, 20W
147620	KALU wall and ceiling light, triple-headed, LED, 3000K, matt black, 30W
147621	KALU wall and ceiling light, triple-headed, LED, 3000K, white/black, 30W
147630	KALU wall and ceiling light, four-headed, LED, 3000K, matt black, 40W, rectangular canopy
147631	KALU wall and ceiling light, four-headed, LED, 3000K, white/black, 40W, rectangular canopy
147640	KALU wall and ceiling light, four-headed, LED, 3000K, matt black, 40W, square canopy

147641	KALU wall and ceiling light, four-headed, LED, 3000K, white/black, 40W, square canopy
147650	KALU wall and ceiling light, four-headed, LED, 3000K, matt black, 40W, rectangular canopy extra long
147651	KALU, wall and ceiling light, four-headed, LED, 3000K, white/black, 40W, rectangular canopy extra long
147660	KALU FLOOR 1 floor stand, single-headed, LED, 3000K, matt black, max.10W
147661	KALU FLOOR 1 floor stand, single-headed, LED, 3000K, white / black, 10W
147670	KALU FLOOR 2 floor stand, double-headed, LED, 3000K, matt black, 20W
147671	KALU FLOOR 2 floor stand, double-headed, LED, 3000K, white / black, 20W
152601	KALU TRACK, spot for 240V 3-phase track, LED, 3000K, round, white, incl. 3-phase adapter
152604	KALU TRACK, spot for 240V 3-phase track, LED, 3000K, round, silver-grey, incl. 3-phase adapter
152610	KALU TRACK, spot for 240V 3-phase track, QPAR111, black, max. 75 W, incl. 3-phase adapter
152611	KALU TRACK, spot for 240V 3-phase track, QPAR111, white, max. 75 W, incl. 3-phase adapter
152614	KALU TRACK, spot for 240V 3-phase track, QPAR111, silver-grey, max. 75 W, incl. 3-phase adapter
153580	KALU TRACK, spot for 240V 3-phase track, QR111, black, max. 50W, incl. 3-phase adapter
153581	KALU TRACK, spot for 240V 3-phase track, QR111, white, max. 50W, incl. 3-phase adapter
153584	KALU TRACK, spot for 240V 3-phase track, QR111, silver-grey, max. 50W, incl. 3-phase adapter
153590	KALU TRACK, spot for 240V 3-phase track, TCR-TSE, black, max. 9W, incl. 3-phase adapter
153594	KALU TRACK, spot for 240V 3-phase track, TCR-TSE, silver-grey, max. 9W, incl. 3-phase adapter
1000110	KALU, wall and ceiling light, single-headed, LED, 3000K, black, 24°
1000112	KALU, wall and ceiling light, single-headed, LED, 3000K, white/black, 24°

1000113	KALU, wall and ceiling light, double-headed, LED, 3000K, black, 24°
1000114	KALU, wall and ceiling light, double-headed, LED, 3000K, white/black, 24°
1000115	KALU, wall and ceiling light, three-headed, LED, 3000K, black, 24°
1000116	KALU, wall and ceiling light, three-headed, LED, 3000K, white/black, 24°
1000117	KALU, wall and ceiling light, four-headed, LED, 3000K, black, 24°
1000118	KALU, wall and ceiling light, four-headed, LED, 3000K, white/black, 24°
1000119	KALU, wall and ceiling light, four-headed, LED, 3000K, square, black, 24°
1000120	KALU, wall and ceiling light, four-headed, LED, 3000K, square, white/black, 24°
1000121	KALU, wall and ceiling light, four-headed, LED, 3000K, black, 88cm, 24°
1000122	KALU, wall and ceiling light, four-headed, LED, 3000K, white/black, 88cm, 24°
1000123	KALU, floor stand, single-headed, LED, 3000K, black, 24°
1000124	KALU, floor stand, single-headed, LED, 3000K, white/black, 24°
1000125	KALU, floor stand, double-headed, LED, 3000K, black, 24°
1000126	KALU, floor stand, double-headed, LED, 3000K, white/black, 24°
1000127	KALU, wall and ceiling light, single-headed, LED, 3000K, black, 60°
1000128	KALU, wall and ceiling light, single-headed, LED, 3000K, white/black, 60°
1000129	KALU, wall and ceiling light, double-headed, LED, 3000K, black, 60°
1000130	KALU, wall and ceiling light, double-headed, LED, 3000K, white/black, 60°
1000131	KALU, wall and ceiling light, three-headed, LED, 3000K, black, 60°
1000132	KALU, wall and ceiling light, three-headed, LED, 3000K, white/black, 60°

1000133	KALU, wall and ceiling light, four-headed, LED, 3000K, black, 60°
1000134	KALU, wall and ceiling light, four-headed, LED, 3000K, white/black, 60°
1000135	KALU, wall and ceiling light, four-headed, LED, 3000K, square, black, 60°
1000136	KALU, wall and ceiling light, four-headed, LED, 3000K, square, white/black, 60°
1000137	KALU, wall and ceiling light, four-headed, LED, 3000K, black, 88cm, 60°
1000138	KALU, wall and ceiling light, four-headed, LED, 3000K, white/black, 88cm, 60°
1000139	KALU, floor stand, single-headed, LED, 3000K, black, 60°
1000140	KALU, floor stand, single-headed, LED, 3000K, white/black, 60°
1000141	KALU, floor stand, double-headed, LED, 3000K, black, 60°
1000142	KALU, floor stand, double-headed, LED, 3000K, white/black, 60°
1000765	KALU, spot for 1-circuit high-voltage track, LED, 3000K, black, 24°, incl. 1-circuit adapter
1000766	KALU, spot for 1-circuit high-voltage track, LED, 3000K, white/black, 24°, incl. 1-circuit adapter
1000767	KALU, spot for 1-circuit high-voltage track, LED, 3000K, black, 60°, incl. 1-circuit adapter
1000768	KALU, spot for 1-circuit high-voltage track, LED, 3000K, white/black, 60°, incl. 1-circuit adapter
1000769	KALU, spot for 3-circuit high-voltage track, LED, 3000K, black, 60°, incl. 3-circuit adapter
1000770	KALU, spot for 3-circuit high-voltage track, LED, 3000K, white/black, 60°, incl. 3-circuit adapter
153600	KALU TRACK, spot for 3-circuit high-voltage track, LED, 3000K, black, 24°, incl. 3-circuit adapter
153601	KALU TRACK, spot for 3-circuit high-voltage track, LED, 3000K, white/black, 24°, incl. 3-circuit adapter

Adjustable spot KALU TRACK with suitable adapter for the 240V 3-circuit track system. Conceived as an extension to the popular KALU series, this track spot takes on the shape of the product family. High light output and low electricity consumption are provided thanks to the built-in LED module. To meet all lighting requirements, we alternatively offer versions with G53 and GX53 sockets, as well as versions for the 1- and 3-circuit systems. This luminaire contains built-in LED lamps. EEL: A - A++. The lamps in the luminaire cannot be replaced.

Notes
