

Motion detector

IS 360-3

black

EAN 4007841 006525

Article number 006525



infrared sensor
360°



max. 12 m

2000 W

2000 W max.
(LED-ready)



IP54



2 - 1000 lux



5 sec - 15 min



Ideal 2 m



energy saving

3 years

manufacture's
warranty
[steinell.de/garantie](https://www.steinell.de/garantie)



CE

Function description

The multi-talent for indoors and outdoors. Infrared wall sensor IS 360-3, ideal for mounting under soffits, in carports, on large building facades and driveways, 3 pyro sensors for a 360° angle of coverage, reach can be set up to 12 m, selectable time and twilight threshold, detection zone can be customised with shrouds.

Motion detector

IS 360-3

black

EAN 4007841 006525

Article number 006525



Technical specifications

Type	Motion detectors	Fluorescent lamps, electronic ballast	1500 W
Dimensions (Ø x H)	121 x 57 mm	Fluorescent lamps, uncorrected	500 VA
Mains power supply	220 – 240 V / 50 – 60 Hz	Fluorescent lamps, series-corrected	900 VA
Sensor Technology	passive infrared	Fluorescent lamps, parallel-corrected	400 VA
Application, place	Outdoors, Indoors	Switching output 1, low-voltage halogen lamps	2000 VA
Installation site	ceiling	LED lamps	100 W
Installation	Surface wiring	LED lamps > 2 W	300 W
Mounting height	2,50 – 6,00 m	LED lamps > 8 W	600 W
Reach, radial	Ø 6 m (28 m ²)	Capacitive load in µF	176 µF
Reach, tangential	Ø 24 m (452 m ²)	Constant-lighting control	No
Detection angle	360 °	Basic light level function	No
Angle of aperture	90 °	Settings via	Potentiometers
Switching zones	972 switching zones	With remote control	No
Optimum mounting height	2,8 m	Interconnection	Yes
Mechanical scalability	No	Type of interconnection	Master/master
Sneak-by guard	Yes	IP-rating	IP54
Capability of masking out individual segments	Yes	Material	Plastic
Electronic scalability	No	Ambient temperature	-20 – 50 °C
Twilight setting TEACH	No	Application, room	outdoors, all round the building, Indoors
Twilight setting	2 – 1000 lx	Colour	black
Time setting	5 s – 15 Min.	Colour, RAL	9005
Output	2000 W	Manufacturer's Warranty	3 years
Switching output 1, resistive	2000 W	Version	black
Switching output 1, number of LEDs / fluorescent lamps	8 pcs.	PU1, EAN	4007841006525

Motion detector

IS 360-3

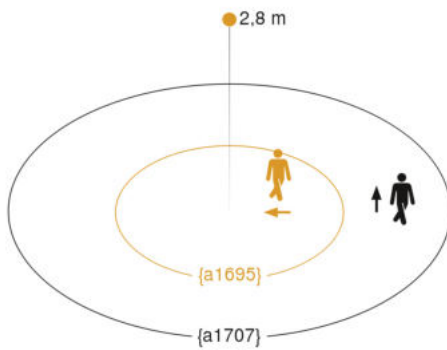
black

EAN 4007841 006525

Article number 006525



Detection Zone

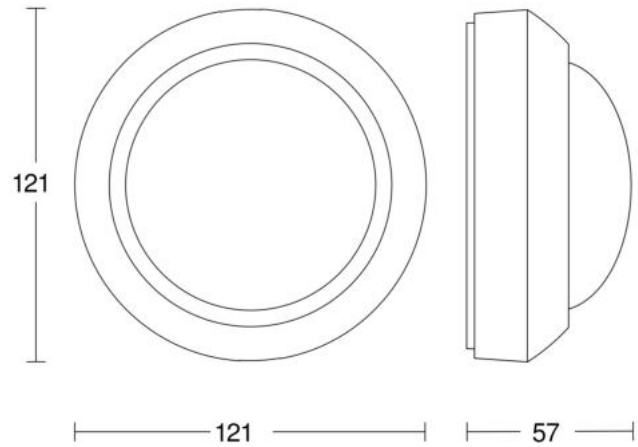


Mögliche Montagehöhe: 2,50 m – 6,00 m

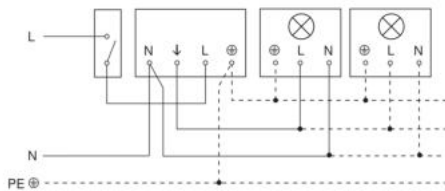
Orange: radial

Schwarz: tangential

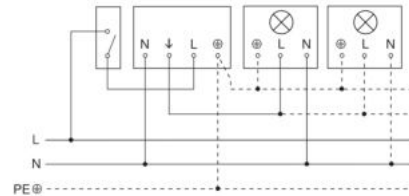
Dimension Drawing



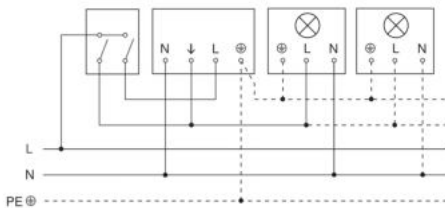
Light without neutral conductor



Light with neutral conductor



Connection using two-circuit switch for manual and automatic operation



Connection via a two-way switch for manual override and automatic operation

