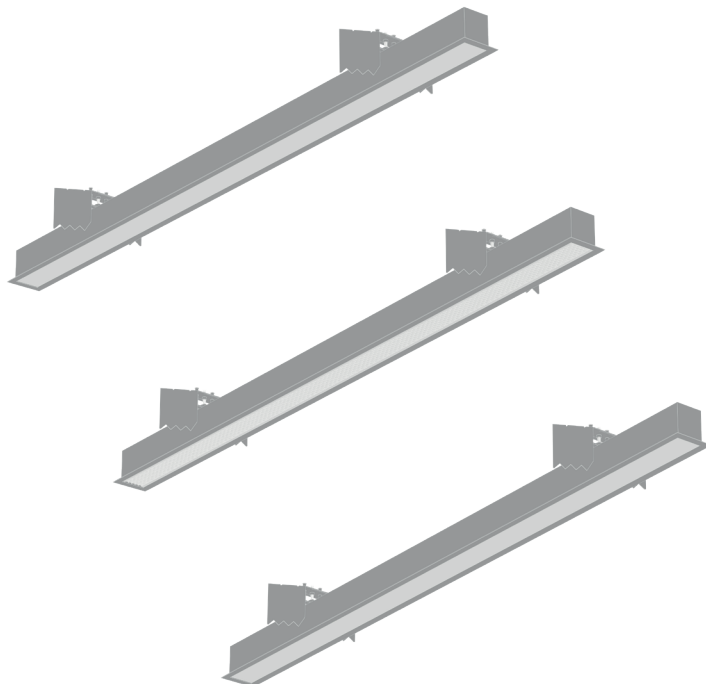


# OFFICE LINEAR RECESSED



LEDVANCE



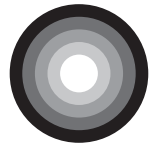
LUMINAIRE		+	RAIL	
OFFICE LINEAR V 2CCT PRISM	4099854251498		OFFICE LINEAR RS V 34W PS 1124 WT	4099854251658
OFFICE LINEAR V 2CCT UGR19	4099854251511		OFFICE LINEAR RS V 34W PS 1124 BK	4099854251672
OFFICE LINEAR V 2CCT OPAL	4099854251535		OFFICE LINEAR RS V 34W PS 1124 GY	4099854251696
			OFFICE LINEAR RS V 34W PS 1124 WT DALI	4099854251719
			OFFICE LINEAR RS V 34W PS 1124 BK DALI	4099854251733
			OFFICE LINEAR RS V 34W PS 1124 GY DALI	4099854251757

## OFFICE LINEAR RECESSED

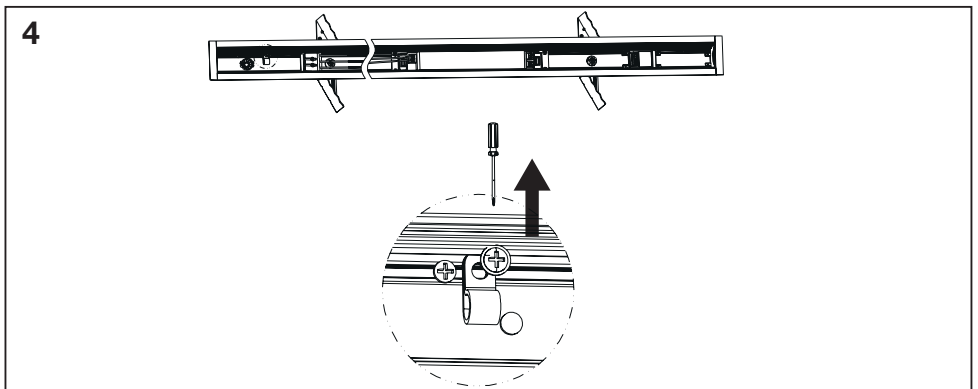
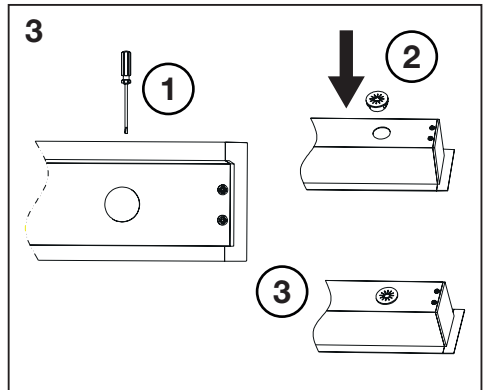
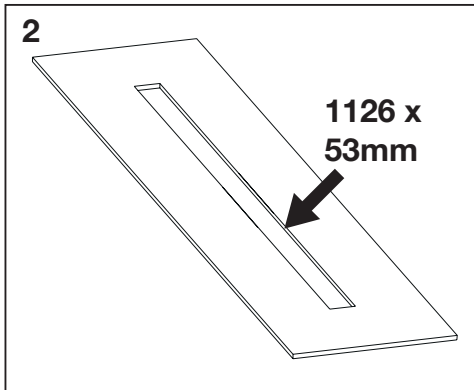
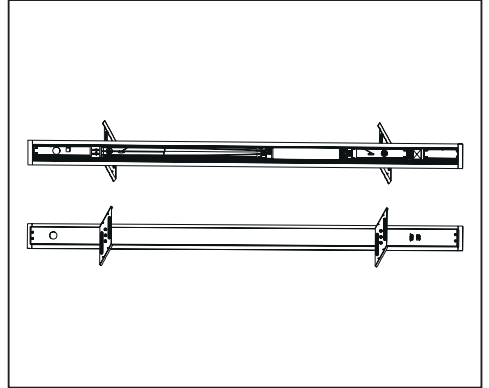
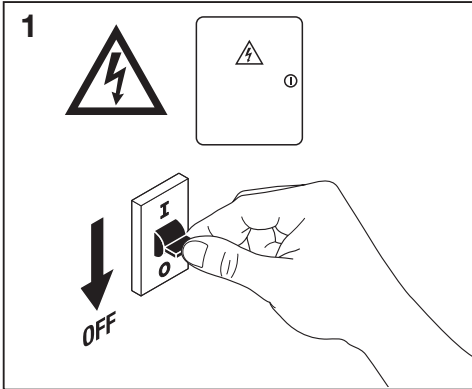


	EAN	l x w x h (mm)	W	V	lm	lm/W
OFFICE LINEAR V 2CCT PRISM	4099854251498	1120x42.5x45	19-24-29-34	80-86DC	*	*
OFFICE LINEAR V 2CCT UGR19	4099854251511	1120x42.5x45	19-24-29-34	80-86DC	*	*
OFFICE LINEAR V 2CCT OPAL	4099854251535	1120x42.5x45	19-24-29-34	80-86DC	*	*
OFFICE LINEAR RS V 34W PS 1124 WT	4099854251658	1144x65x56	19-24-29-34	220-240AC	-	-
OFFICE LINEAR RS V 34W PS 1124 BK	4099854251672	1144x65x56	19-24-29-34	220-240AC	-	-
OFFICE LINEAR RS V 34W PS 1124 GY	4099854251696	1144x65x56	19-24-29-34	220-240AC	-	-
OFFICE LINEAR RS V 34W PS 1124 WT DALI	4099854251719	1144x65x56	34	220-240AC	-	-
OFFICE LINEAR RS V 34W PS 1124 BK DALI	4099854251733	1144x65x56	34	220-240AC	-	-
OFFICE LINEAR RS V 34W PS 1124 GY DALI	4099854251757	1144x65x56	34	220-240AC	-	-

	EAN	K	° (°C)	▽	R <sub>a</sub>	IP/IK	☉	👤
OFFICE LINEAR V 2CCT PRISM	4099854251498	3000-4000	-20°...+40°	80°	>90	20/03	-	0,53kg
OFFICE LINEAR V 2CCT UGR19	4099854251511	3000-4000	-20°...+40°	50°	>90	20/03	-	0,55kg
OFFICE LINEAR V 2CCT OPAL	4099854251535	3000-4000	-20°...+40°	100°	>90	20/03	-	0,52kg
OFFICE LINEAR RS V 34W PS 1124 WT	4099854251658	-	-20°...+40°	-	-	20/03	-	1,35kg
OFFICE LINEAR RS V 34W PS 1124 BK	4099854251672	-	-20°...+40°	-	-	20/03	-	1,35kg
OFFICE LINEAR RS V 34W PS 1124 GY	4099854251696	-	-20°...+40°	-	-	20/03	-	1,35kg
OFFICE LINEAR RS V 34W PS 1124 WT DALI	4099854251719	-	-20°...+40°	-	-	20/03	DALI	1,35kg
OFFICE LINEAR RS V 34W PS 1124 BK DALI	4099854251733	-	-20°...+40°	-	-	20/03	DALI	1,35kg
OFFICE LINEAR RS V 34W PS 1124 GY DALI	4099854251757	-	-20°...+40°	-	-	20/03	DALI	1,35kg

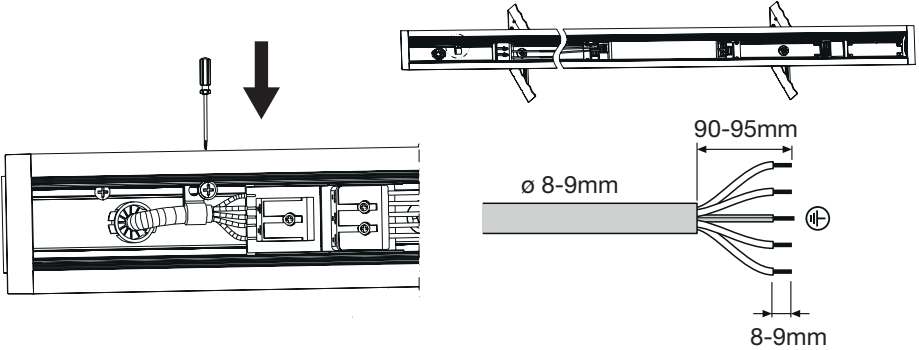


## LUMINAIRE + RAIL RECESSED INSTALLATION

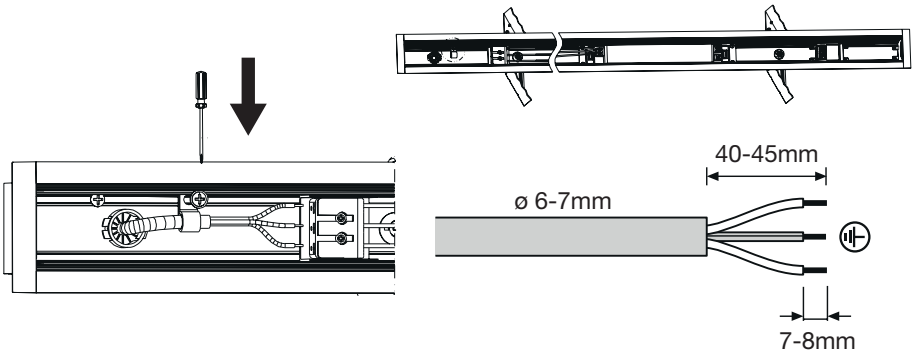




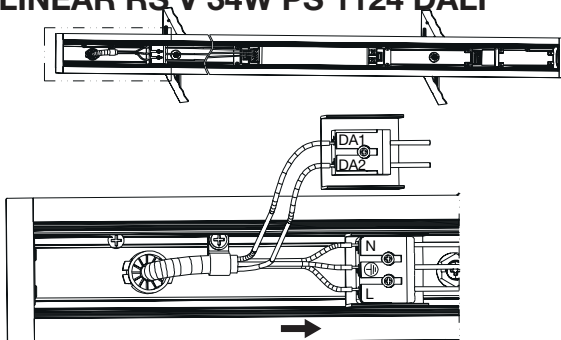
### 5 OFFICE LINEAR RS V 34W PS 1124 DALI



### 6 OFFICE LINEAR RS V 34W PS 1124

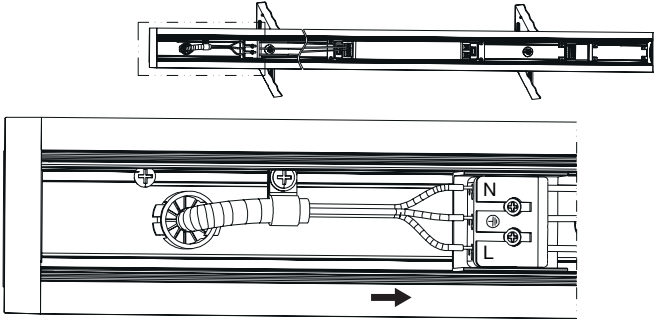


### 7 OFFICE LINEAR RS V 34W PS 1124 DALI



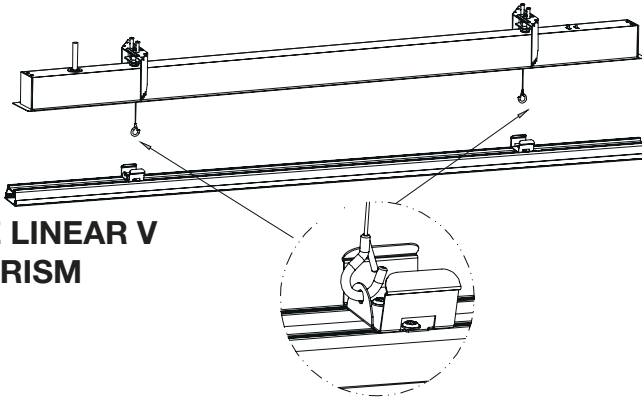


8 OFFICE LINEAR RS V 34W PS 1124

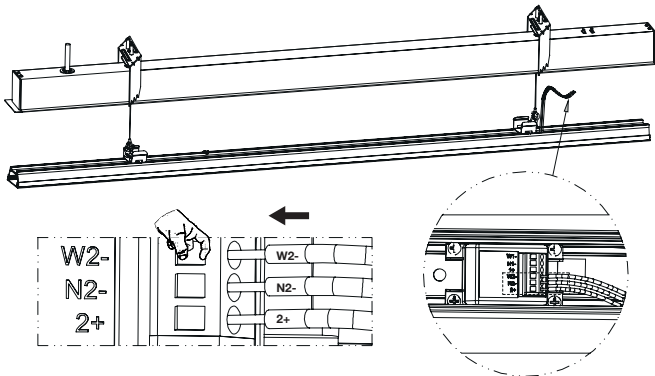


9

OFFICE LINEAR V  
2CCT PRISM

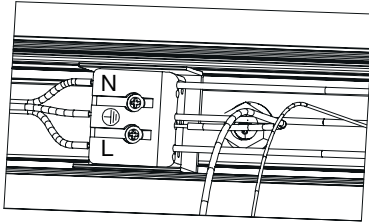
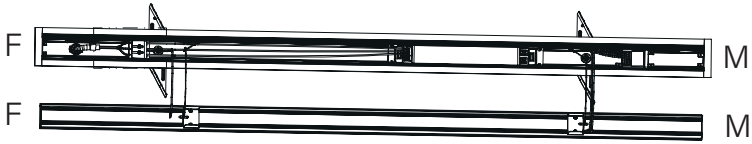


10

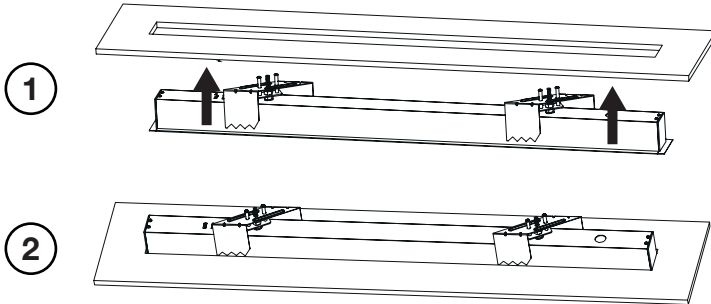




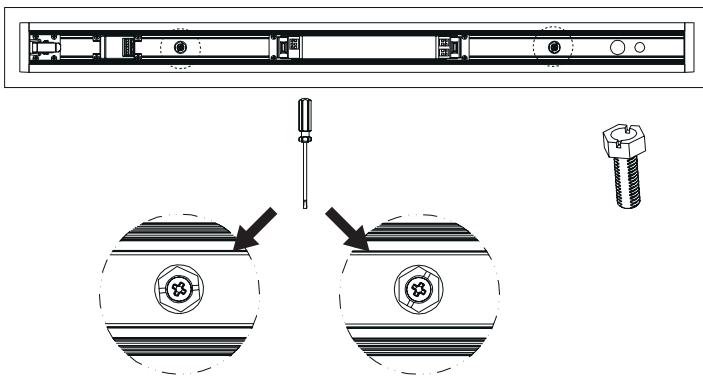
11

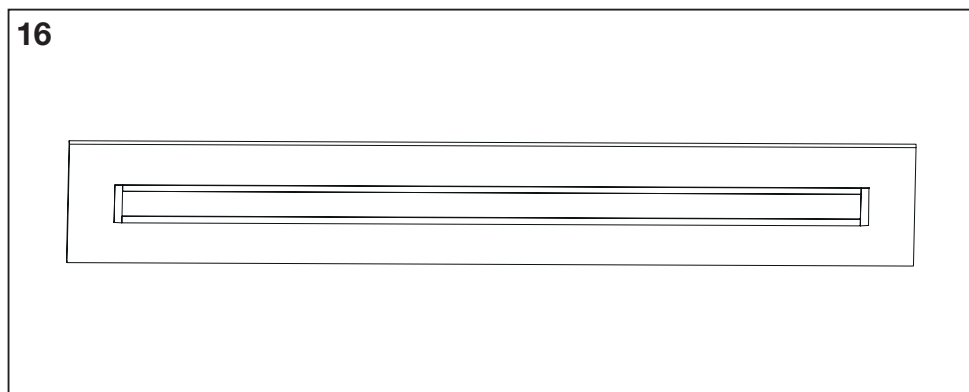
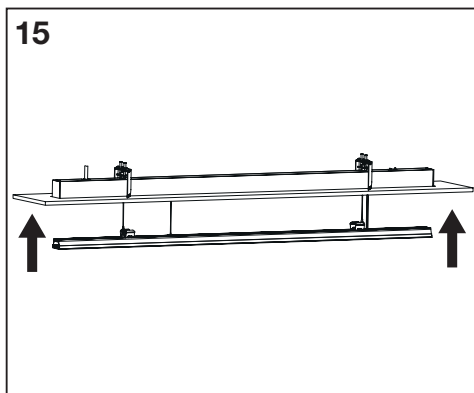
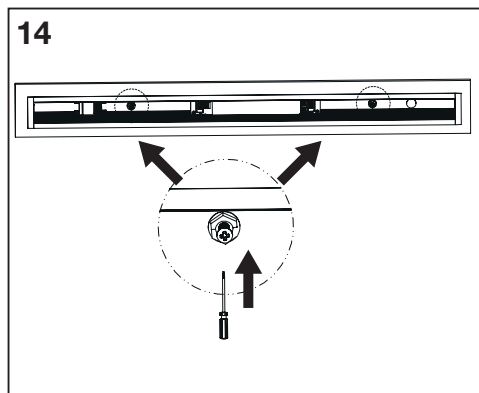


12

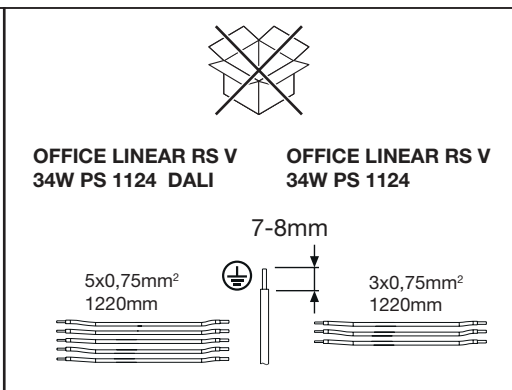
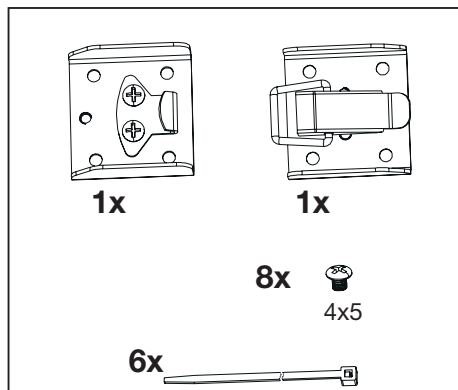


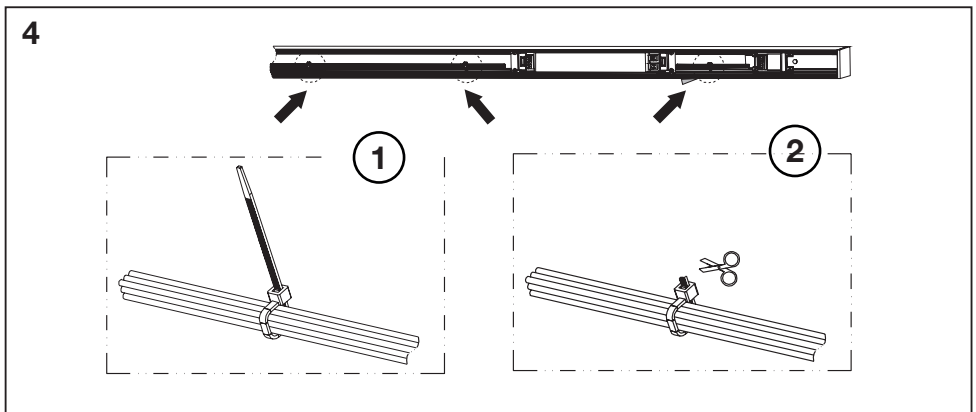
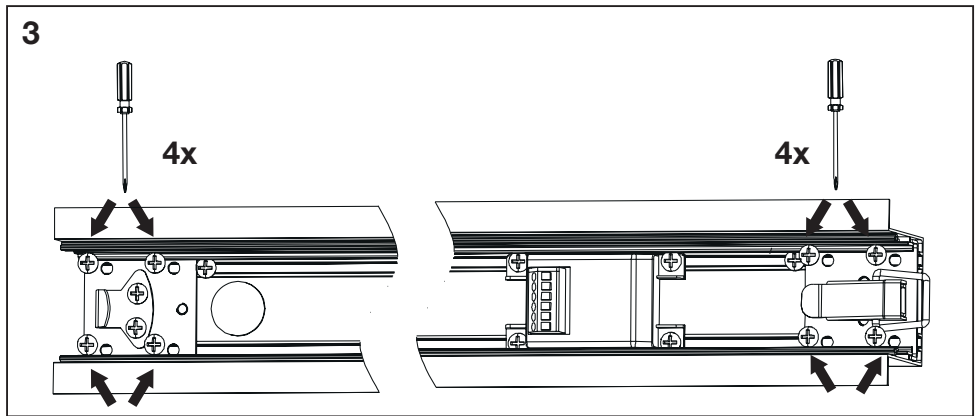
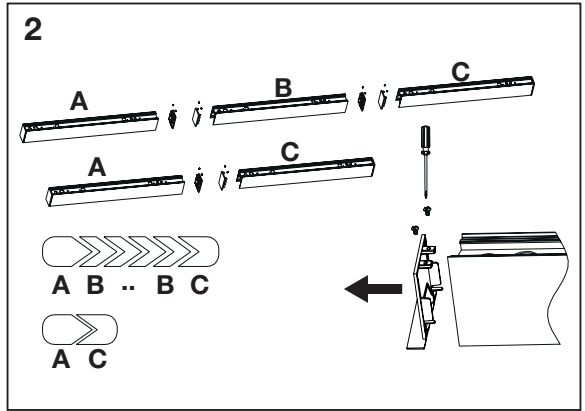
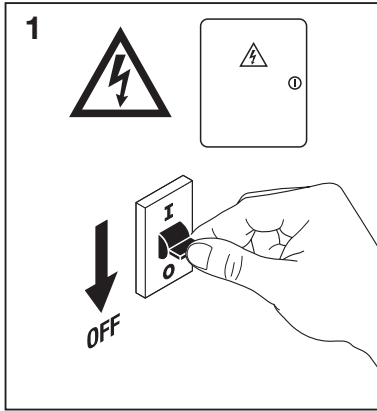
13



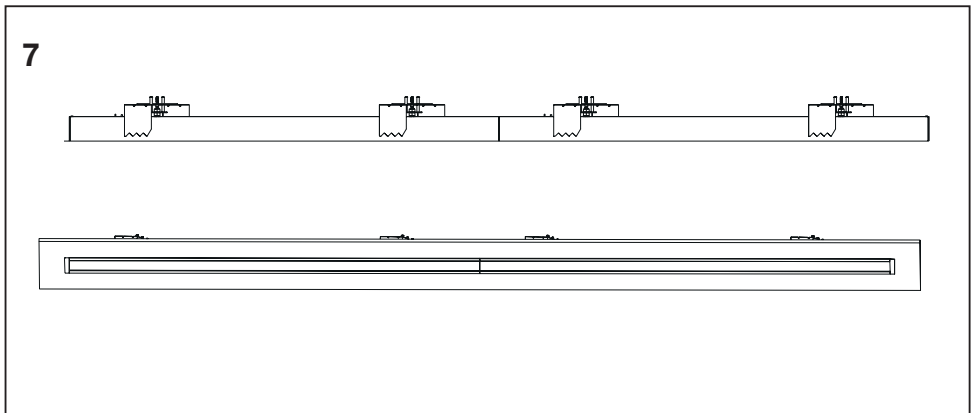
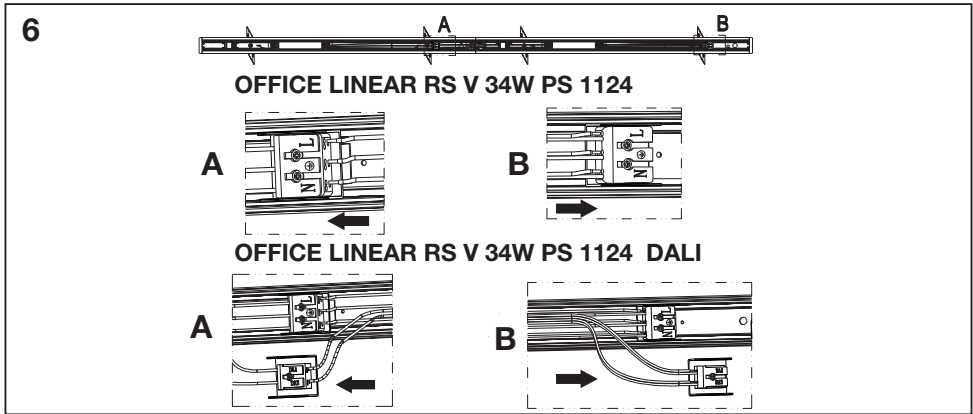
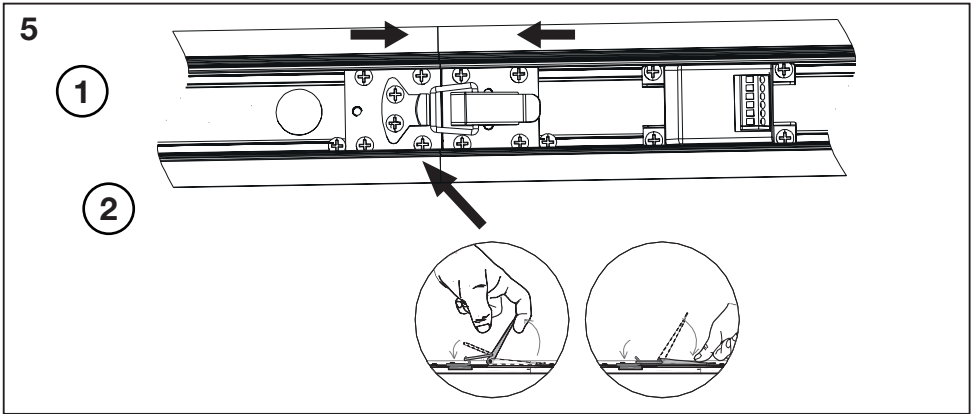


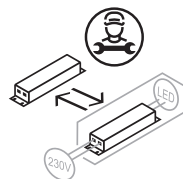
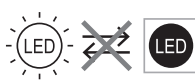
**LUMINAIRE + RAIL RECESSED CONNECTABLE INSTALLATION:**











LEDVANCE GmbH  
Steinerne Furt 62  
86167 Augsburg, Germany  
[www.ledvance.com](http://www.ledvance.com)



**FR**  
Cet appareil, ses accessoires et son cordon, se recyclent

À DÉPOSER EN MAGASIN

OU

À DÉPOSER EN DÉCHÈTERIE

Points de collecte sur [www.quefairedemesdechets.fr](http://www.quefairedemesdechets.fr)

C10449057  
G11197543  
16.05.24

© LEDVANCE Ltd, Sterling House, 810 Mandarin Court, Warrington, Cheshire, WA1 1GG, United Kingdom