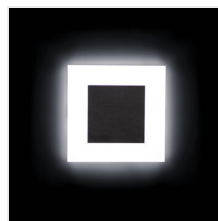
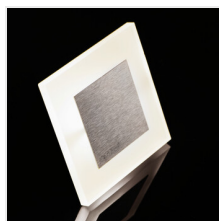
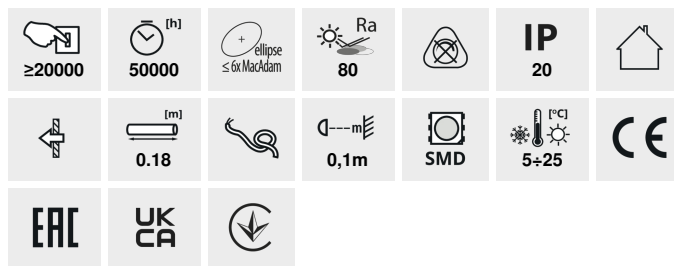


APUS LED

Staircase LED light fitting



APUS LED WW



	[V]	[W]	[lm]	Tc [K]		
APUS LED WW	23106	12 DC	0.8	stainless steel	13	3000
APUS LED CW	23107	12 DC	0.8	stainless steel	15	6500
APUS LED AC-WW	23800	220-240 AC	1.3	stainless steel	13	3000
APUS LED AC-CW	23801	220-240 AC	1.3	stainless steel	15	6500
APUS LED AC B-NW	26536	220-240 AC	1.3	black	14	4000
APUS LED AC B-WW	26537	220-240 AC	1.3	black	13	3000
APUS LED B-NW	26538	12 DC	0.8	black	14	4000
APUS LED B-WW	26539	12 DC	0.8	black	13	3000
APUS LED W-WW	26840	12 DC	0.8	white	13	3000
APUS LED W-CW	26841	12 DC	0.8	white	15	6500
APUS LED PIR WW	27370	12 DC	0.8	stainless steel	13	3000
APUS LED W-NW	27378	12 DC	0.8	white	14	4000
APUS LED PIR NW	27379	12 DC	0.8	stainless steel	14	4000
APUS LED PIR B-NW	29856	12 DC	0.8	black	14	4000
APUS LED PIR B-WW	29857	12 DC	0.8	black	13	3000
APUS LED NW	32488	12 DC	0.8	stainless steel	14	4000

Kanlux APUS means modern design combined with an attractive effect of lighting. It is a perfect idea to highlight stairs and corridors or to emphasize decor of rooms. The unique structure of the holders ensures even emission of light. The AC version is equipped with 230V power supply unit which fits into a box and the PIR version is equipped with a motion sensor. The

APUS LED

Staircase LED light fitting

sensor detects movement / turns lights on regardless of the ambient light intensity.

- Enclosure material: polished stainless steel, plastic



APUS LED WW



APUS LED CW



APUS LED AC-WW



APUS LED AC-CW



APUS LED AC B-NW



APUS LED AC B-WW



APUS LED B-NW



APUS LED B-WW

APUS LED

Staircase LED light fitting



APUS LED W-WW



APUS LED W-CW



APUS LED PIR WW



APUS LED W-NW



APUS LED PIR NW



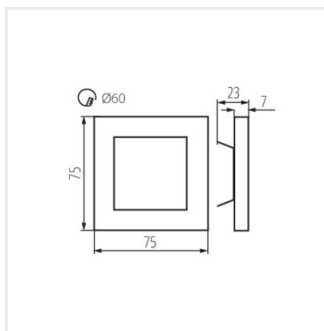
APUS LED PIR B-NW



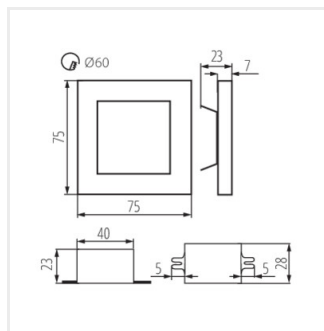
APUS LED PIR B-WW



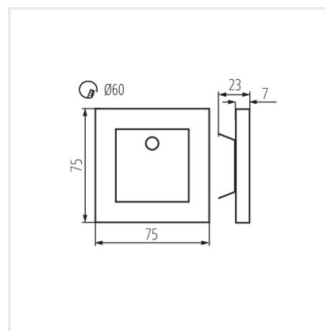
APUS LED NW



APUS LED



APUS LED AC



APUS LED PIR