

Kanlux



Kanlux 37390 CALIZA LED CCT W

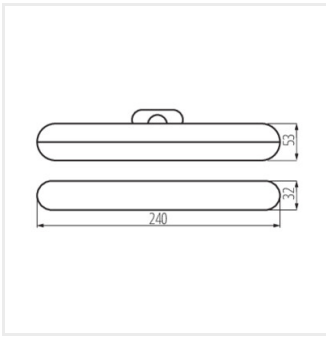
Kanlux CALIZIA LED is a modern wall lamp with a luminous flux of 160 lm, which is charged via USB C (the set includes a 220 mm cable). You can attach the base of the wall lamp to the wall or cabinet using tape or 2 screws (included in the set), and you can easily detach the lighting part (magnetic holder) for charging. A useful function of the Kanlux CALIZIA LED wall lamp is the change of light intensity and color. Kanlux CALIZIA LED will be useful in places where there is no installation, as a furniture or portable lamp. The lamp operating time is a maximum of 5 hours.



3,7 DC ACCU	max 160	≥15000	25000	3000/4000/6500	ellipse ≤ 6x MacAdam	Ra 80
SMD	[triangle]	[III]	IP 20	[house]	5÷25	[stairs]
180	0,1m	[OFF]	max 80	CE	EAC	UK CA
[down arrow]						



CALIZA LED CCT W | 37390 | max 2 | white



CALIZA LED CCT W

Date of issue: 20.11.2024, 11:41

We reserve the right to make technical changes. The data contained in this material are not legally binding.
Photometry: the results obtained from testing were from a specific sample.

