

ELNIS S

Ring for spotlight fittings



ELNIS S W-A



ELNIS S W	27800	max 35	white	none
ELNIS S W/A	27801	max 35	white/anthracite	none
ELNIS S A/W	27802	max 35	anthracite / white	none
ELNIS S A/C	27803	max 35	anthracite / chrome	none

The Kanlux ELNIS is a fixture which consists of two parts forming a whole. It is a combination of two separate elements: the body (the main part) and the casing (the spacer ring), forming a perfectly matched whole. ELNIS S is a fixture with a 10-mm-high casing. The Kanlux ELNIS is characterised by modern design and very-high quality of workmanship.

- Enclosure material: aluminum alloy

ELNIS S

Ring for spotlight fittings



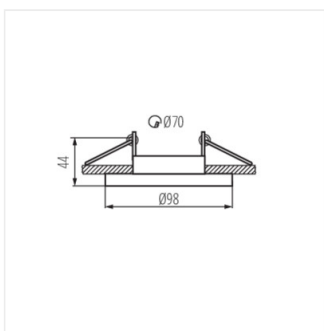
ELNIS S W



ELNIS S A/W



ELNIS S A/C



ELNIS S