

# Kanlux



## Kanlux ACORD ATL2 GU10

Kanlux ACORD ATL 2 are lighting fixtures to be mounted on three-phase track. These are lamps with a replaceable light source that can be adapted to our individual needs. We can choose the color of the fitting: white or black, and a light source. Depending on our needs, we can choose the right color, lighting angle and power. Kanlux ACORD ATL 1 luminaires have a 5-year warranty.

- for installation on the TEAR N busbar
- 
- 



[V] 220-240 AC	[Hz] 50	[W] max 10	PAR16	⏏	IP 20	🏠
☀️🌡️🌞 5=25	🔌	[°] 330	[°] 100	📏 0,5m	🚫	CE
EAC	PZH	UK CA	👇			



ATL2 GU10-W



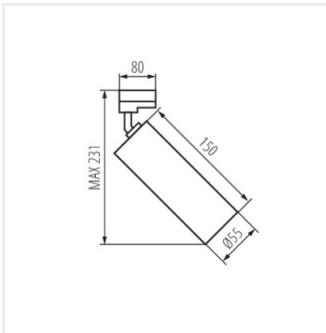
ATL2 GU10-W	33138	white	GU10
ATL2 GU10-B	33139	black	GU10



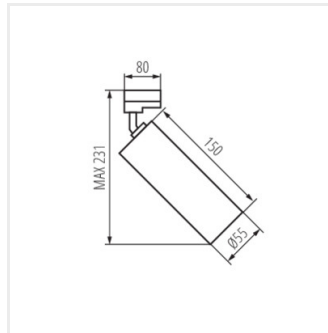
ATL2 GU10-W



ATL2 GU10-B



ATL2 GU10-W



ATL2 GU10-B

Date of issue: 19.11.2024, 15:55

We reserve the right to make technical changes. The data contained in this material are not legally binding.

Photometry: the results obtained from testing were from a specific sample.