

General info

Indoor - Suspensions

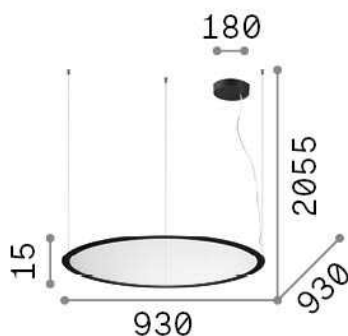
Ean	8021696327990
Item	ORBIT SP D63 BIANCO
Installation	Suspensions
Guarantee	5 years
Gross weight	4.7 kg
Volume	0.057963 m ³

Technical info

Net weight	3.2 kg
Insulation class	I
Protection index	IP20
Compliance	CE
Operating temperature	0° ~ +40 °C
Full load efficiency	x
Dimmer	NO, On-Off
Power output	220-240 V AC 50/60 Hz
Power supply	In-built, included Replaceable (by qualified operators only), electronic

Source info

Integrated source	Integrated LED module
Replaceable source	Replaceable (by qualified operators only)
Power	LED 38 W
Emission	Direct + Indirect
Max consumption	max 38,00 W
Features LED	LED SMD
CCT LED	3000 K
Duration LED (t. 25°C)	50000 h
CRI	> 80
Light beam flux	6200 lm
Useful light flux	4130 lm
Photobiological risk	1
Bulb included	1 - E14 OLIVA 4W 3000K CRI80 SATIN



General info

Indoor - Suspensions

Ean	8021696314037
Item	ORBIT SP D93 NERO
Installation	Suspensions
Guarantee	5 years
Gross weight	8.05 kg
Volume	0.114075 m ³

Technical info

Net weight	5.4 kg
Insulation class	I
Protection index	IP20
Compliance	CE
Operating temperature	0° ~ +40 °C
Full load efficiency	x
Dimmer	NO, On-Off
Power output	220-240 V AC 50/60 Hz
Power supply	In-built, included Replaceable (by qualified operators only), electronic

Source info

Integrated source	Integrated LED module
Replaceable source	Replaceable (by qualified operators only)
Power	LED 61 W
Emission	Direct + Indirect
Max consumption	max 61,00 W
Features LED	LED SMD
CCT LED	3000 K
Duration LED (t. 25°C)	50000 h
CRI	> 80
Light beam flux	9100 lm
Useful light flux	6570 lm
Photobiological risk	1
Bulb included	1 - E14 OLIVA 4W 3000K CRI80 SATIN