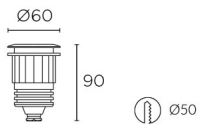


## AQUA Recessed PC Submersible

**Description**

Waterproof light for outdoor use.



For uplighting. Includes flush-mounting box. Includes filters to emulate warm light. Suitable for installation in marine environments. Maximum light surface temperature below 40°C. Structure material: Aluminium, Polycarbonate. Structure finish: White. Diffuser material: Glass. Diffuser finish: Tempered. UV protection. Warranty: 5 Years.



0-20

**Finish**  
White  
Tempered

**Material**  
Aluminium  
Polycarbonate  
Glass

IP68 (1m) IK10   40

**TECHNICAL CHARACTERISTICS****Light source**

Light source: LED CREE  
Output (W): 2.2W  
Color temperature: Neutral white - 4000K  
CRI: 80  
Real Lumen: 52  
Nominal Lumen: 184  
Qty Leds: 1  
Lm/Real W: 26  
Life Time: 50.000h L70B30  
Bin / Grup: 5A3 o 5D2  
MacAdam steps: 3  
UGR: 23.4  
Photobiological risk: RG2

**GEAR**

This item requires gear. It is not included.  
Voltage / Frequency: max. 700mA

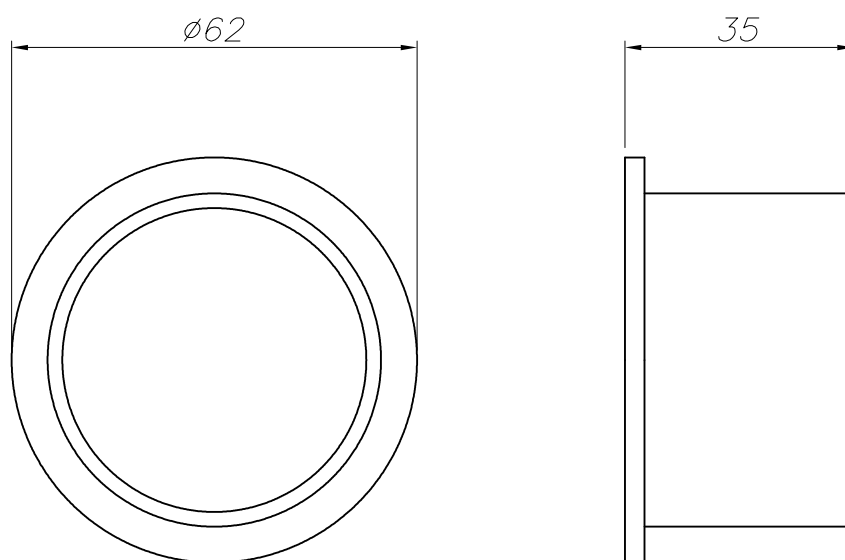
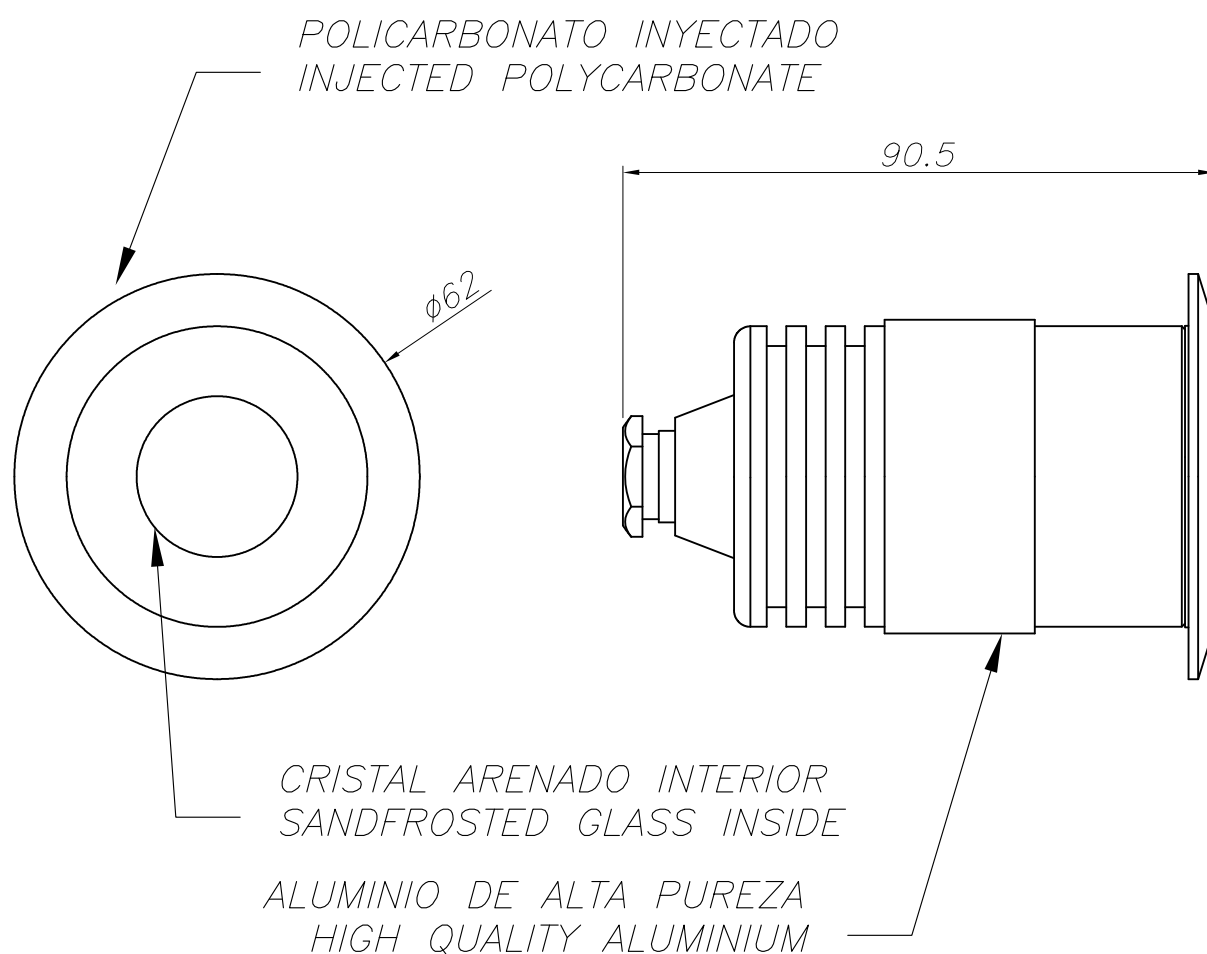
**Luminaire**

Temperature on the surface: 40.00  
Double cable exit: No  
Drainage: No  
Recessed: Si  
Seaside: Yes  
Uv Protection: Yes  
Warranty: 5 Years

**Logistics**

Energy Efficiency: LED A++  
EAN Code: 8435381439781  
Net Weight (Kg): 0.150  
Weight in Kg (packaged): 0.490  
Packing: 80 x 80 x 140  
Masterbox: 40

The photograph may not match the reference exactly. Please read the product description to identify the finish.



*ANILLO DE FIJACIÓN*  
*FIXATION RING*

