

## LUNO Downlight recessed

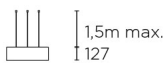
**Description**

Downlight for indoor use.

For downlighting. Ideal for deco-tech compositions. Fully uniform diffuser with no shadows or glare. Structure material: Aluminium. Structure finish: White. Diffuser material: Methacrylate. Diffuser finish: Matt. Warranty: 5 Years.

**Finish**  
White  
Matt

**Material**  
Aluminium  
Methacrylate



400

**TECHNICAL CHARACTERISTICS****Light source**

Light source: LED SAMSUNG  
Output (W): 24.5W  
Total power consumption (W): 26.8 W  
Color temperature: Warm White - 3000K  
CRI: 80  
Real Lumen: 2389  
Nominal Lumen: 3215  
Qty Leds: 96  
Lm/Real W: 89  
Life Time: 50.000h L80B10  
Bin / Grup: VA o VB  
MacAdam steps: 3  
UGR: 19.0  
Photobiological risk: RG1

**GEAR**

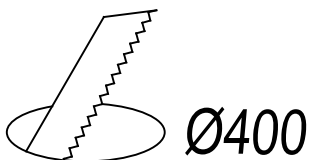
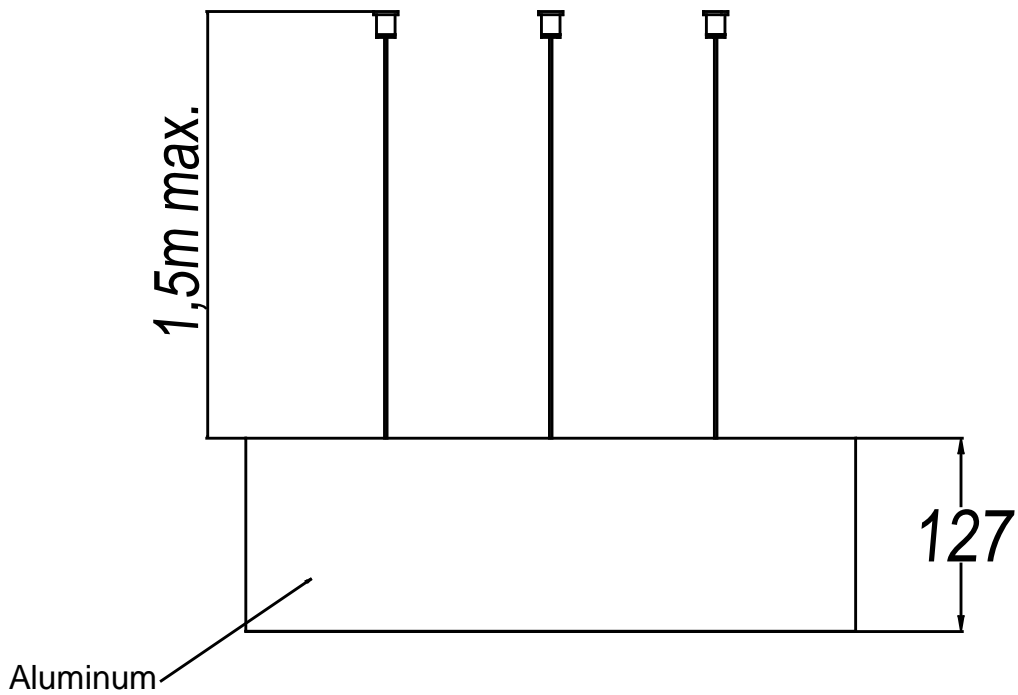
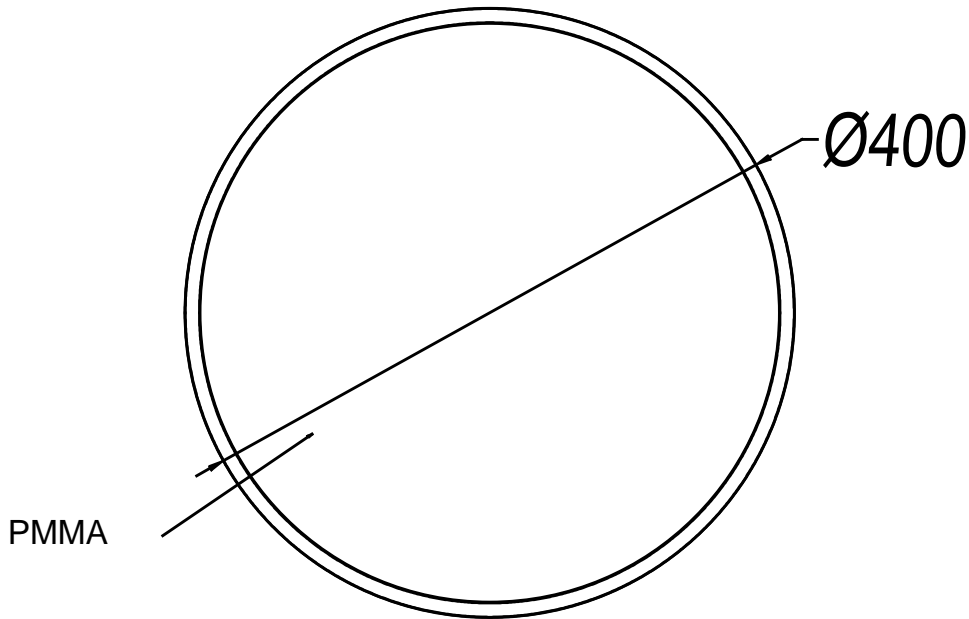
Brand: EAGLERISE  
Gear included: Yes, electronic  
Voltage / Frequency:  
100-240VAC/50-60Hz  
Power Factor: 0.94

**Luminaire**

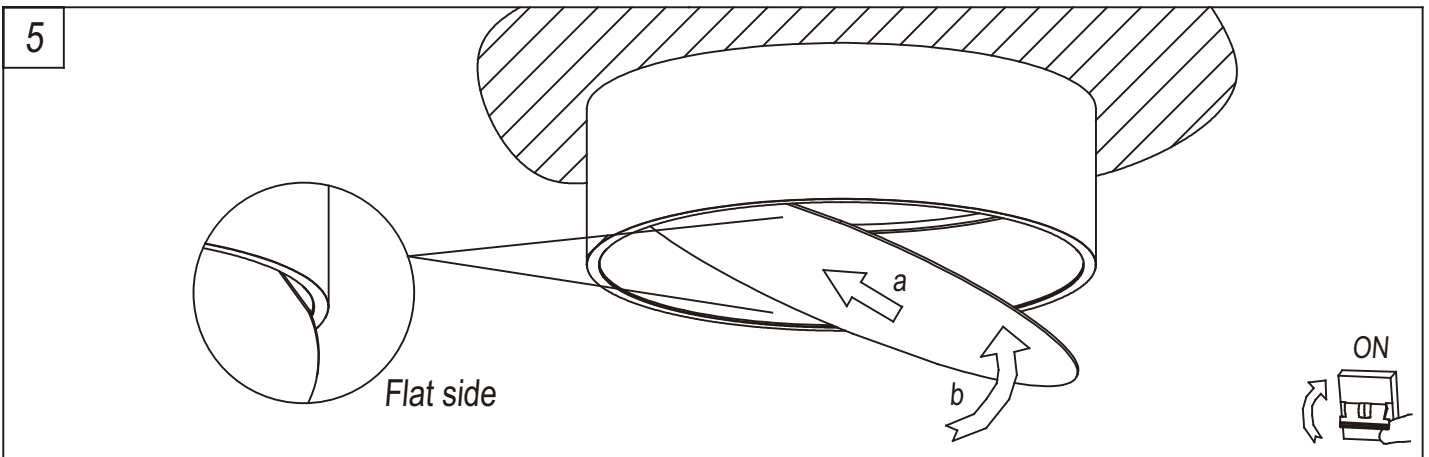
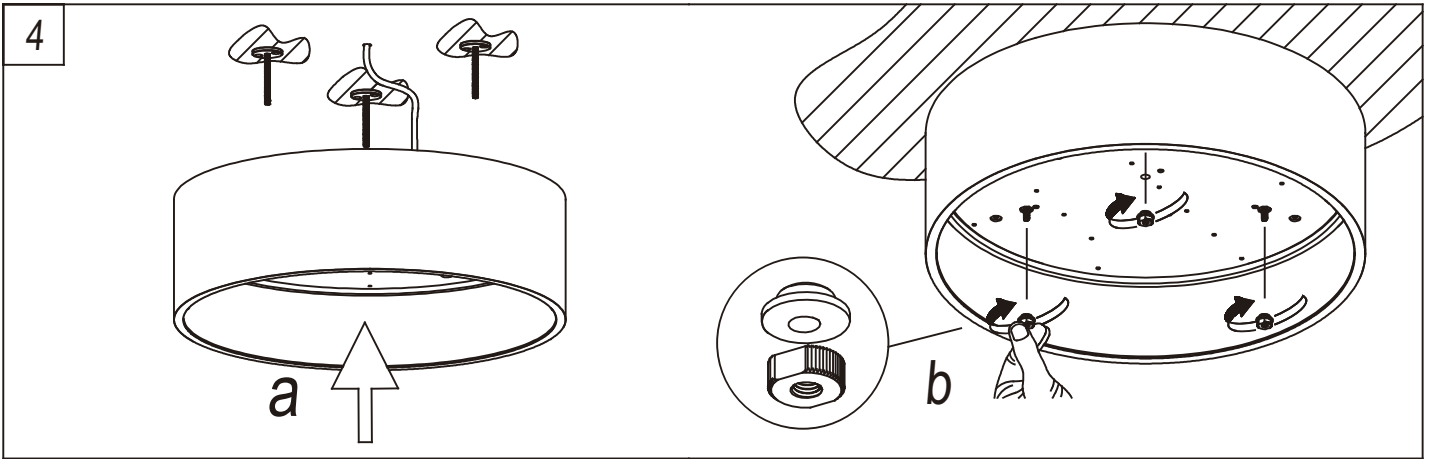
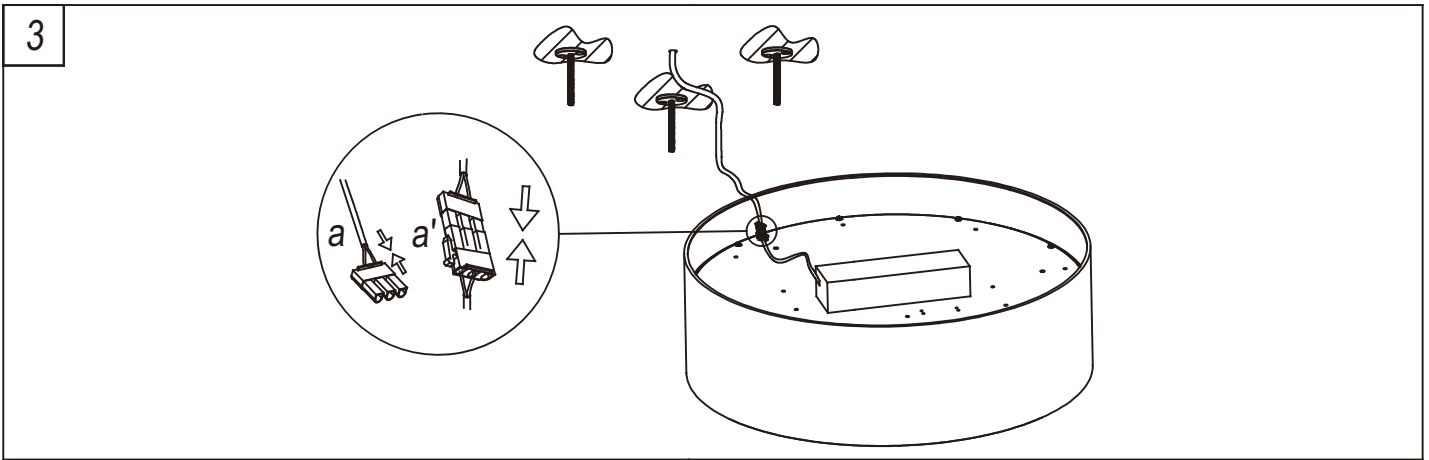
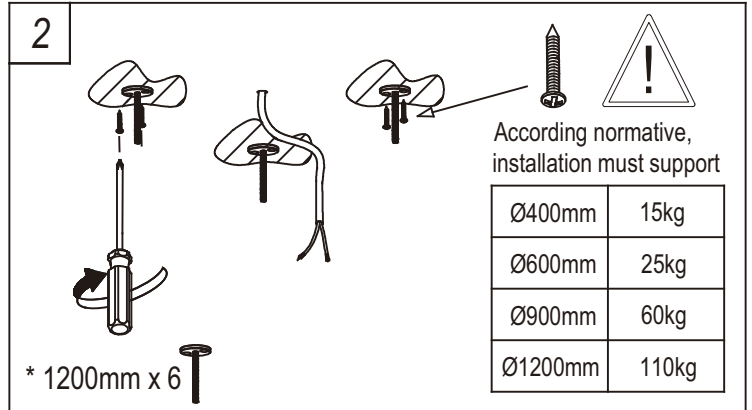
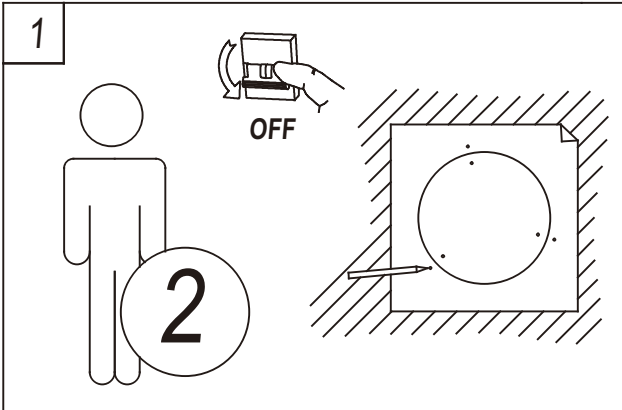
Warranty: 5 Years

**Logistics**

Energy Efficiency: LED A++  
EAN Code: 8435381470517  
Net Weight (Kg): 2.460  
Weight in Kg (packaged): 3.239  
Packing: 410 x 140 x 405  
Masterbox: 4



## SURFACE



## PENDANT

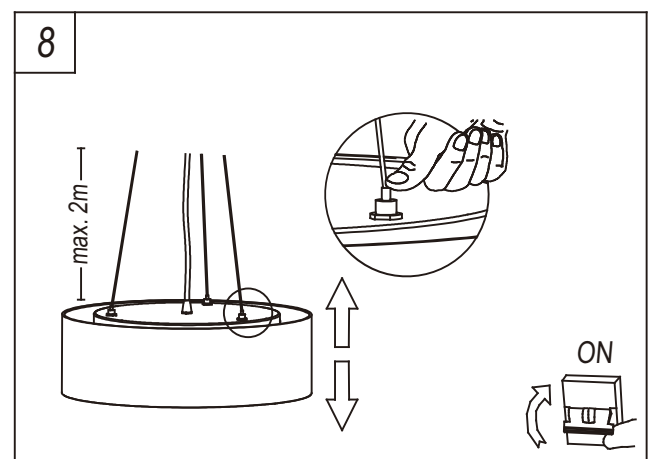
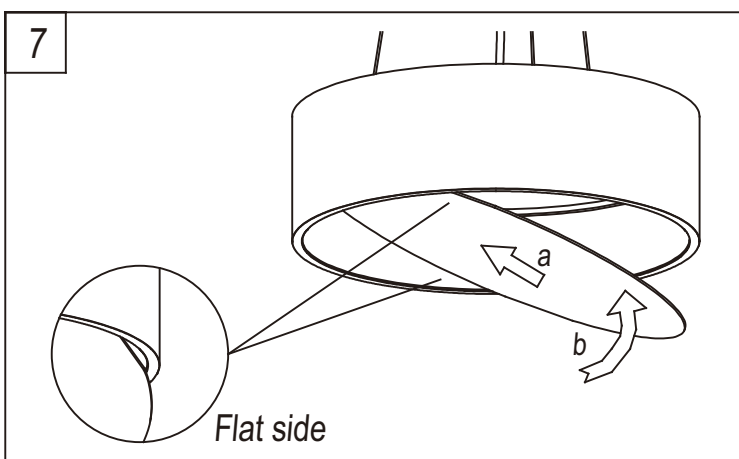
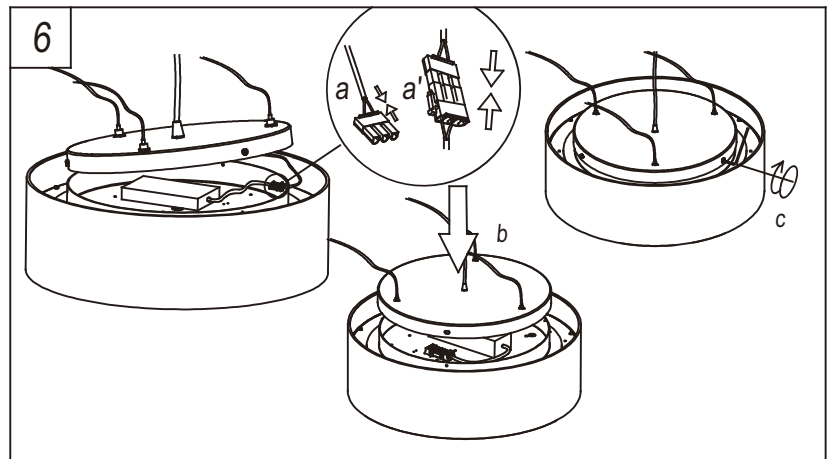
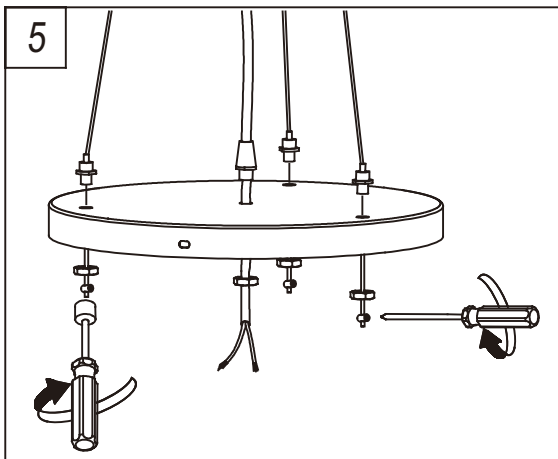
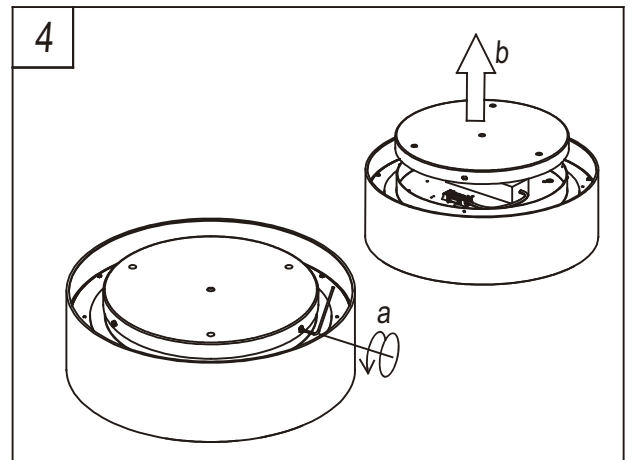
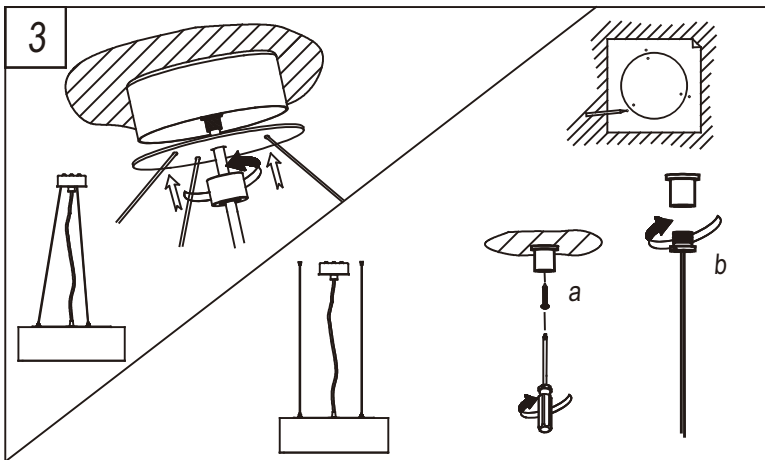
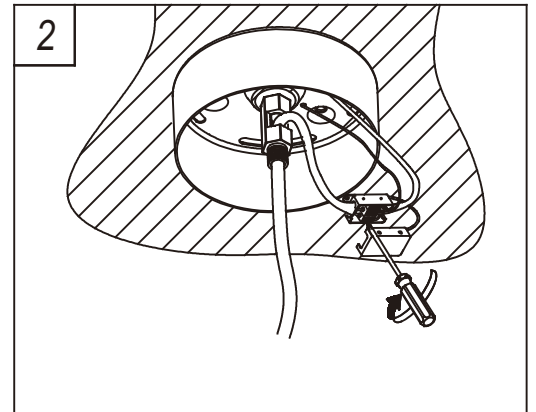
1

OFF

2

According normative, installation must support

|         |       |
|---------|-------|
| Ø400mm  | 15kg  |
| Ø600mm  | 25kg  |
| Ø900mm  | 60kg  |
| Ø1200mm | 110kg |



## RECESSED

1

OFF

min. 20

min. 20

2

|         |
|---------|
| Ø400mm  |
| Ø600mm  |
| Ø900mm  |
| Ø1200mm |

2

a

b

max. 1.5m

According normative, installation must support

|         |       |
|---------|-------|
| Ø400mm  | 15kg  |
| Ø600mm  | 25kg  |
| Ø900mm  | 60kg  |
| Ø1200mm | 110kg |

3

a

4

a

5

6

7

a

Silicone

b

8

a

b

Flat side

ON