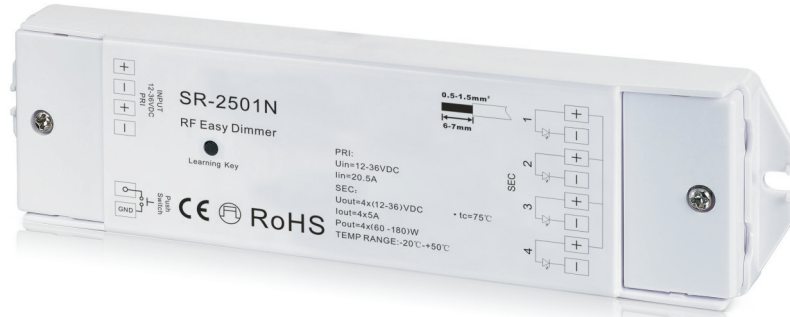


RF Dimmer Receiver

Model: SR-2501N series



Feature

- Compatible with different remote controls
- Push Dim function available when connect a simple push switch
- To dim and switch Single color LED lighting.

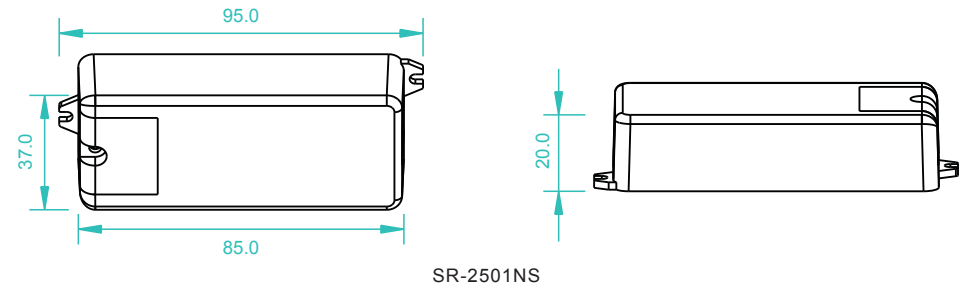
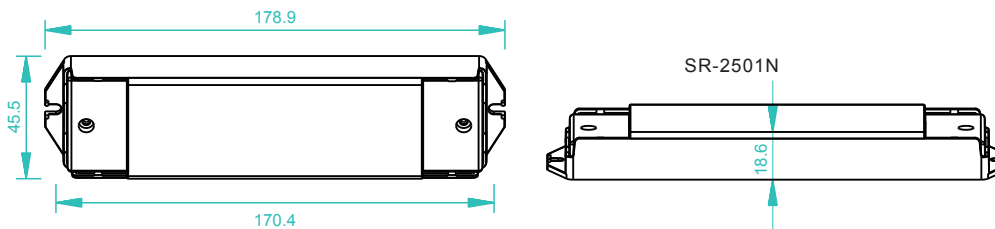
Parameter

Part No.	Input Voltage	Output Current	Output Power	Remarks
SR-2501N	12-36VDC	4x5A	4x(60-180)W	Constant voltage
SR-2501NEA	12-36VDC	4x8A	4x(96-288)W	Constant voltage
SR-2502N	12-36VDC	4x350mA	4x(4.2-12.6)W	Constant current
SR-2503N	12-36VDC	4x700mA	4x(8.4-25.2)W	Constant current
SR-2501NS	12-36VDC	1x8A	1x(96-288)W	Constant voltage
SR-2502NS	12-36VDC	1x350mA	1x(4.2-12.6)W	Constant current
SR-2503NS	12-36VDC	1x700mA	1x(8.4-25.2)W	Constant current

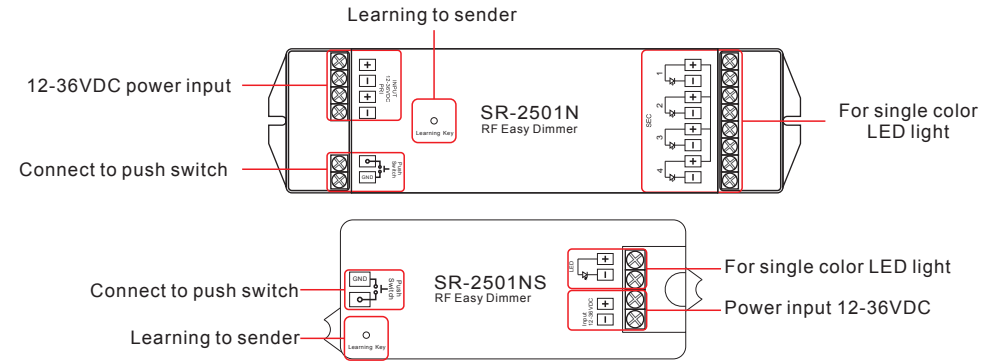
Compatible with below RF remote

hand hold RF remote	SR-2801,SR-2802,SR-2828,SR-2807,SR-2801F
on table RF remote knob	SR-2805D
wall mounted RF remote knob	SR-2805R,SR-2805R(IT),SR-2805R(US), SR-2805NF,SR-2805TS
wall mounted RF remote push	SR-2801K1,SR-2801K2 (flat bottom, can be also stick on wall easily)
wall mounted RF remotel touch	SR-2805T1,SR-2805T2, SR-2805T1 (IT),SR-2805T1(US), SR-2805T2(IT),SR-2805T2(US) Notice: IT means Italian size, US means US size

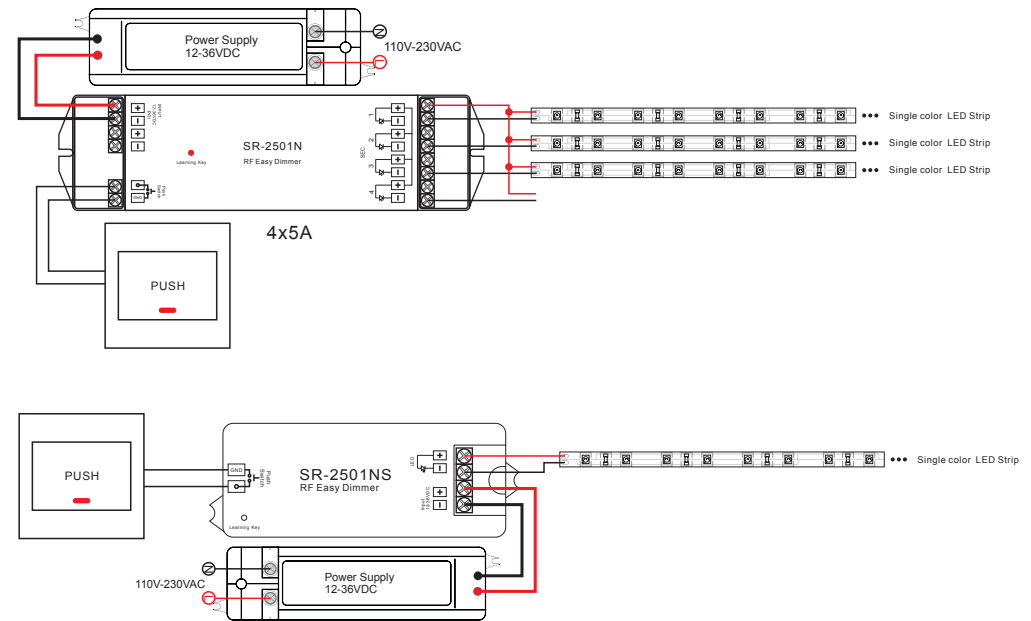
Product Size



Brief introduction of buttons



Wiring diagram



Operation

- a. Do wiring according to connection diagram
- b. Short press learning key on receiver is when you do pair with remote (see the remote's use manual accordingly once the receiver and remote well paired, the led light flashes means well learned.
- c. Long press the learning key on receiver over 5 seconds until LED light flash, then delete the learned ID, the receiver will be reset to factory defaults.
- d. When connected to Push Switch, short press push switch for switch ON/OFF, long press push switch to dim up, long press again to dim down

Each receiver can be controlled by 8 different remotes in max.

Warranty Agreement

- 1) We provide lifelong technical assistance with this product:
 - 3-year warranty. We print date on every products, for example :1125 means year 2011, week 25. The warranty is for free repair or replacement and covers manufacturing faults only.
 - For faults beyond the 3-year warranty we reserve the right to charge for time and parts.
- 2) Limited Warrenty
 - Any defects caused by wrong operation.
 - Any damages caused by unauthorized removal, maintenance, modifying, incorrect connection and replacement of chips.
 - Any damages due to transportation, vibration etc. after purchase.
 - Any damages caused by earthquake, fire, lightning, pollution and abnormal voltage.
 - Any damages caused by negligence, inappropriate storing at high temperatures and humidity or near harmful chemicals.
 - Product has been updated
- 3) Repair or replacement as provided under this warranty is the exclusive remedy to the customer.

Safety & Warnings

- 1) The product shall be installed and serviced by a qualified person.
- 2) IP20. Please avoid the sun and rain. When installed outdoors, please ensure it is mounted in a water proof enclosure.
- 3) Always be sure to mount this unit in an area with proper ventilation to avoid overheating.
- 4) Please check if the output voltage of any LED power supplies used comply with the working voltage of the product.
- 5) Never connect any cables while power is on and always assure correct connections to avoid short circuits before switching on.
- 6) Please ensure that the cable is secured tightly in the connector
- 7) For update information please consult your supplier.