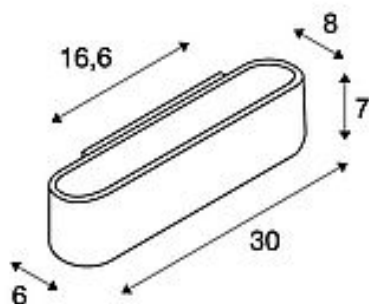
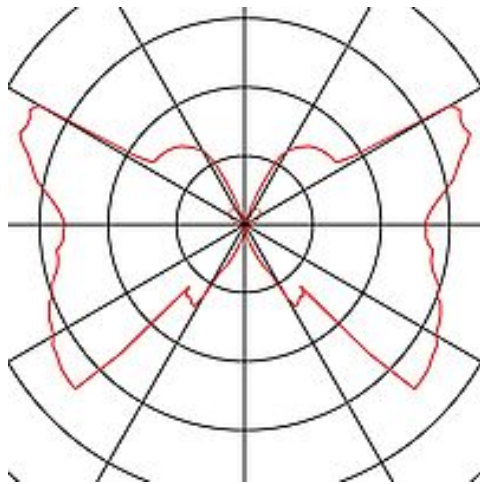


OSSA 300 wall light

QT-DE12, oval, up/down, black, L/W/H 30/8/6.5 cm, max. 120W



Article number	151410
Feed-in capability	No
LBS code	QT-DE12
Lamp	QT-DE12
Lampholder / Socket	R7s 118mm
Number of light sources	1
Lamp included	No
Width	30 cm
Height	6.5 cm
Depth	8 cm
Net weight	0.936 kg
Gross weight	1.191 kg
Voltage	230 ~50 Volts
Max. wattage	120 Watt
Protection class	I
Material	Aluminium/steel
Colour	black
Way of mounting	Surface wall mounting
Energy efficiency class	A+
Catalogue page	BIG WHITE 2018: 244



Articles of this series

151411	OSSA 300 wall light, QT-DE12, oval, up/down, white, L/W/H 30/8/6.5 cm, max. 120W
151416	OSSA 300 wall light, QT-DE12, oval, up/down, brushed aluminium, L/W/H 30/8/6.5 cm, max. 120W
151450	OSSA 150 wall light, QT-DE12, oval, up/down, black, L/W/H 18/8/7 cm, max. 100W
151451	OSSA 150 wall light, QT-DE12, oval, up/down, white, L/W/H 18/8/7 cm, max. 100W
151456	OSSA 150 wall light, QT-DE12, oval, up/down, brushed aluminium, L/W/H 18/8/7 cm, max. 100W

The wall light OSSA 300 sets a strong, modern design accent by its form, which is emphasised by the illumination properties of the operated R7s halogen tube. Prepared for wall mounting, the OSSA 300 R7s is available in several colour version and supplied ready for direct connection to 230V mains supply. This luminaire is suitable for lamps of energy classes: D - A+

Notes
